

ARKTIS

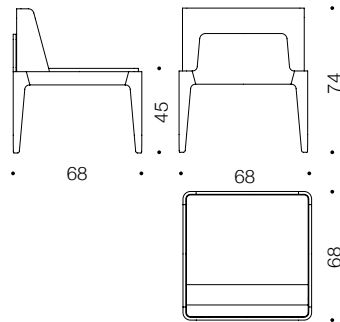


JONO module system

design Mikko Halonen, 2016

Jono is a seating system for public spaces with four different modules. Jono lends itself well to a multitude of purposes and spaces. The modules are easy to combine which makes it possible to use them efficiently in many kinds of interiors and their compact size makes them also suitable for small spaces. The lightweight appearance and the interesting details together with the bent wood and the upholstered seat create a comfortable and warm atmosphere for different interiors.

chair



PRODUCT DETAILS

Solid wood frame & legs (oak / ash)

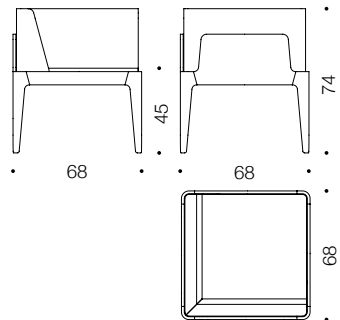
Wooden parts lacquered

Options

Legs : stained, painted

Uphostery : double color on one module

corner



PRODUCT DETAILS

Solid wood frame & legs (oak / ash)

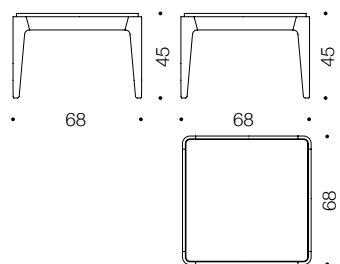
Wooden parts lacquered

Options

Legs : stained, painted

Uphostery : double color on one module

bench



PRODUCT DETAILS

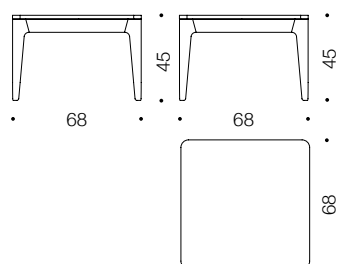
Solid wood frame & legs (oak / ash)

Wooden parts lacquered

Options

Legs : stained, painted

table



PRODUCT DETAILS

Solid wood frame & legs (oak or ash)

Plywood tabletop with veneer surface

Wooden parts lacquered

Options

Legs & tabletop : stained, painted