

PINO stackable table

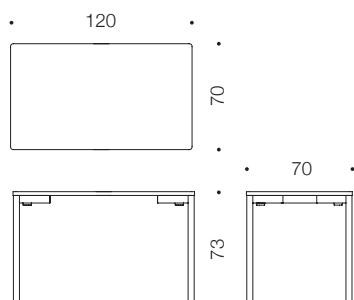
design Mikko Halonen

Pino table offers a clever solution for a stackable table. In use the table looks to be a normal four-leg table. However, when needed two legs can be moved out so that the tables can be stacked. This is made possible with a frame to which two legs are attached with hinges. The legs can be turned by releasing the latches at legs and moving the legs out. The mechanism makes it possible that the tables in use can be covered with table clothes or simply placed besides each other nicely, without any gaps between them. And when needed, stacked and transported away.

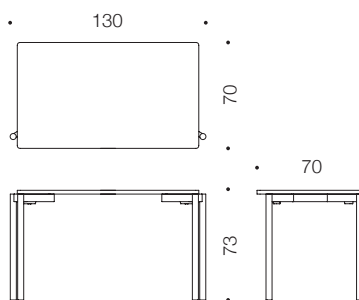
For transport purpose, it is possible to equip some of the tables with strong castors and then stack other tables on top of it. Also, smaller rolls can be attached in two legs for easy moving of an individual table in the use. There is additionally a table trolley available.



Legs inside tabletop



Legs out for stacking



PRODUCT DETAILS

Painted metal frame & legs
Laminated or veneered tabletop (birch / oak / ash)

Code	Size (cm)	Height (cm)
Pi/120x70	120 x 70	74

		Surface treatment	
		Lacquered	White laminate
Veneer surface	Birch	<input type="radio"/>	<input type="radio"/>
	Ash	<input type="radio"/>	<input type="radio"/>
	Oak	<input type="radio"/>	<input type="radio"/>

Options

Wheels on legs for moving according to request